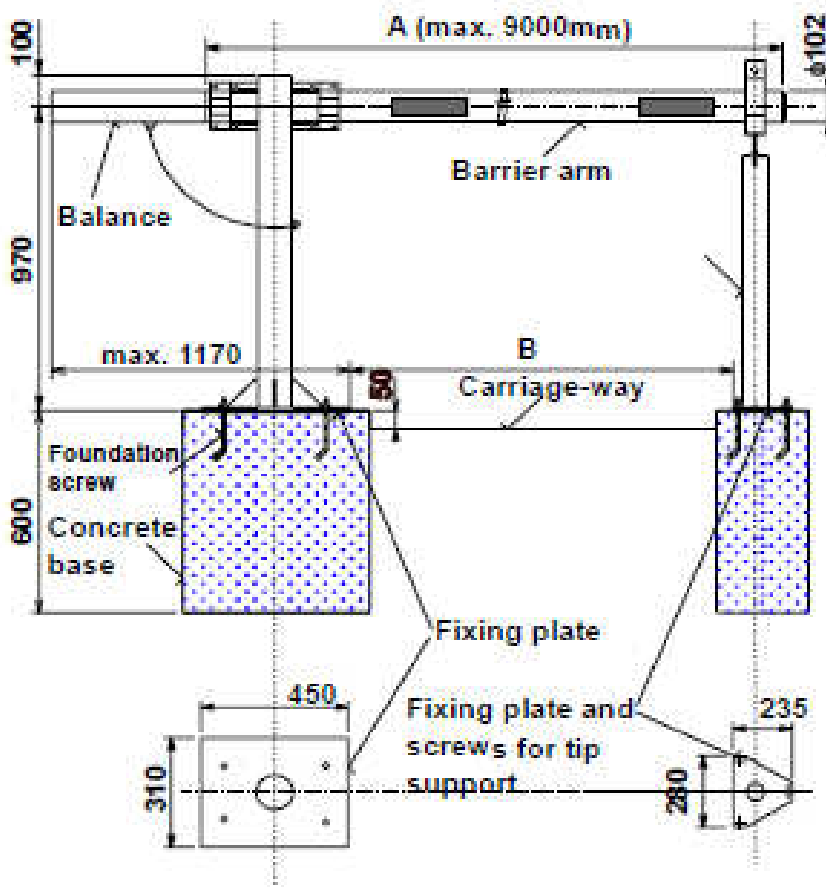


Barrier with tip support



Dimensions	
A	B
3000	2378
4000	3378
5000	4378
6000	5378
7000	6378
8000	7378
9000	8378

HB900



Technical parameters

Arm length	3 - 9 m
Weight without counter balance	30 kg
Surface treatment	- Stainless - Zinc treatment and final powder coating - Hot galvanizing