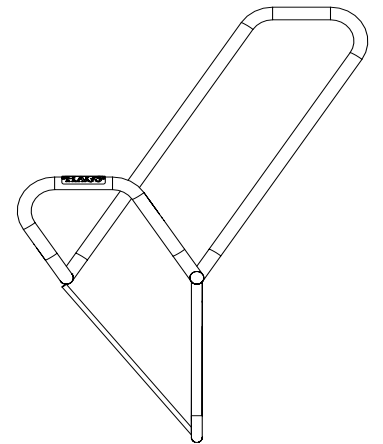
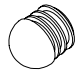



**CC**




1	SW85085		1x	5.97kg
---	---------	--	----	--------

2	43-07296		2x	0.006kg
---	----------	---	----	---------


S17




S18



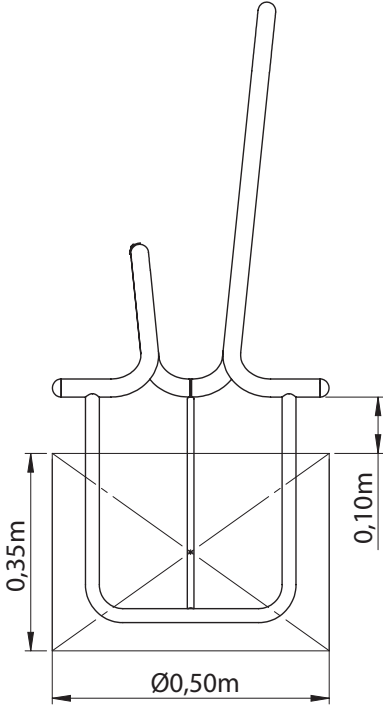
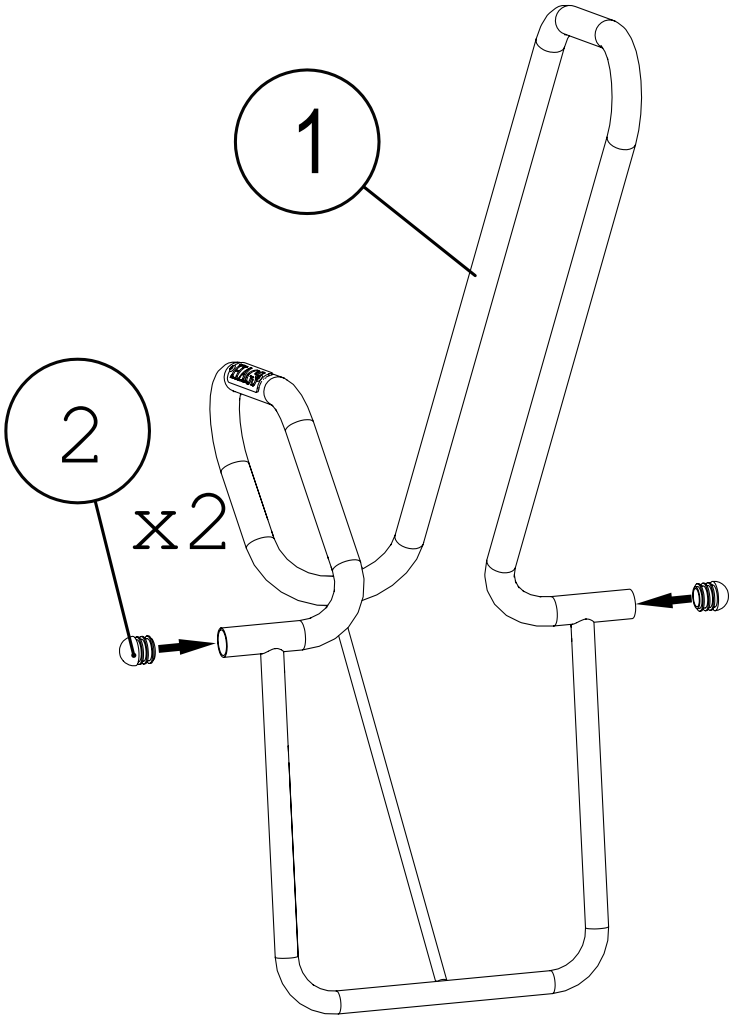
S19




S20




1 x 0,5




S25



≤C20/25  
S1-S3



2x24h



101